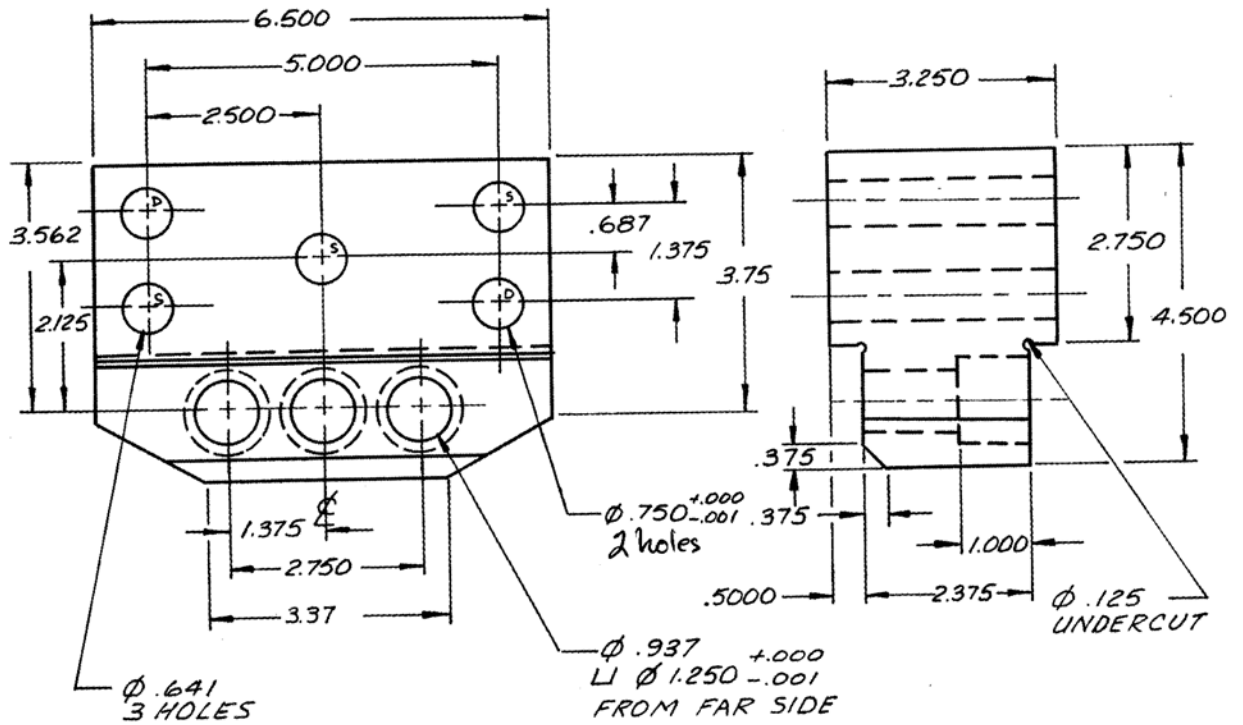
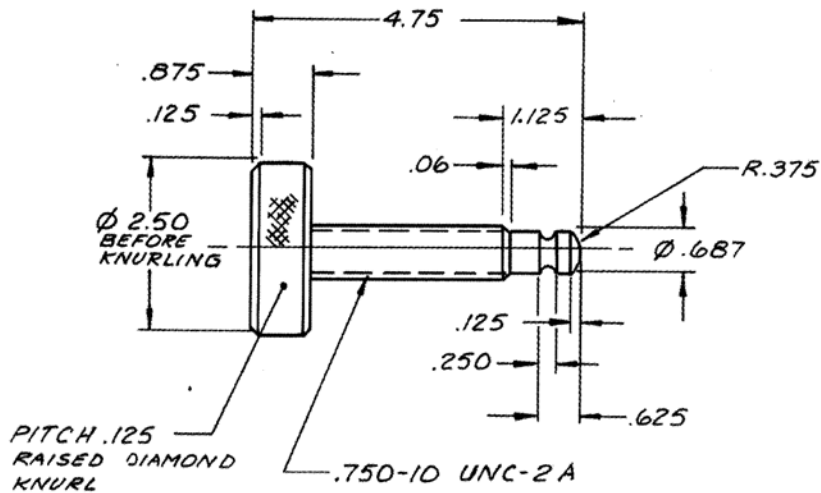
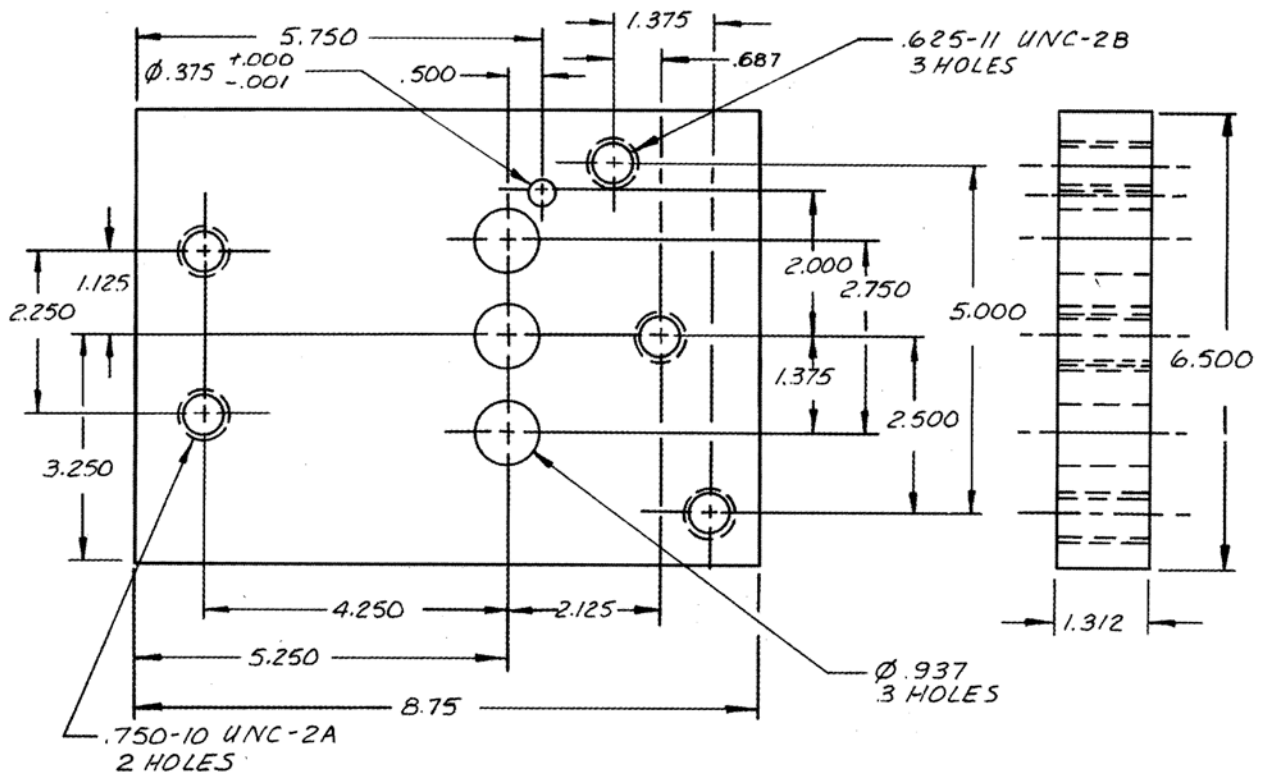
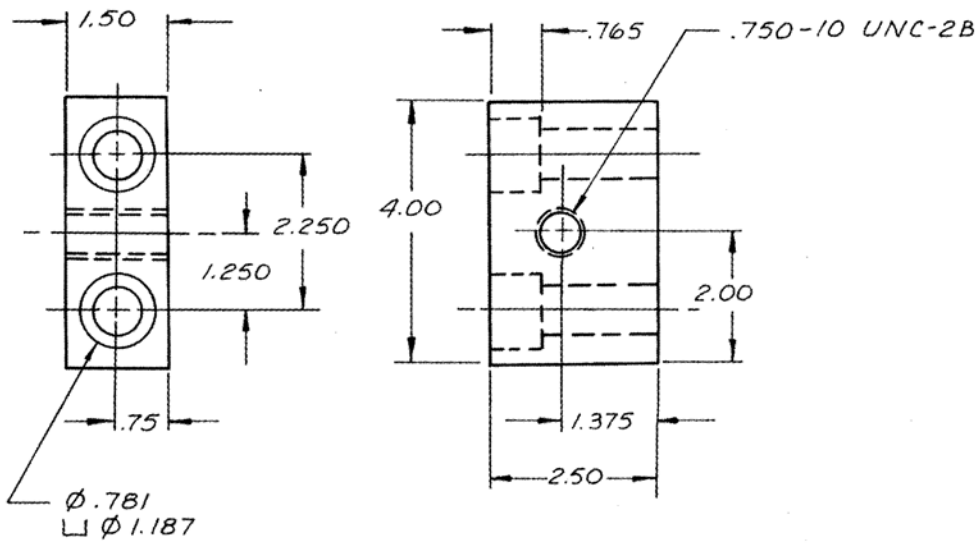
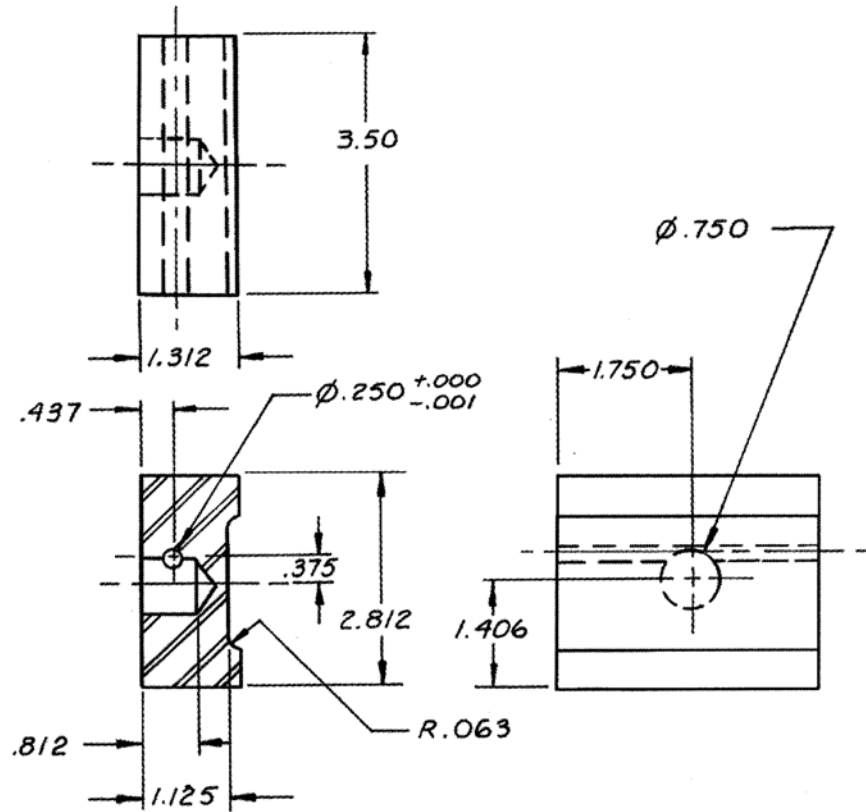


(c)



(d)





(h)

**Problem 23.24** Design a fixture to hold the ring while machining the center hole and the six small holes.

